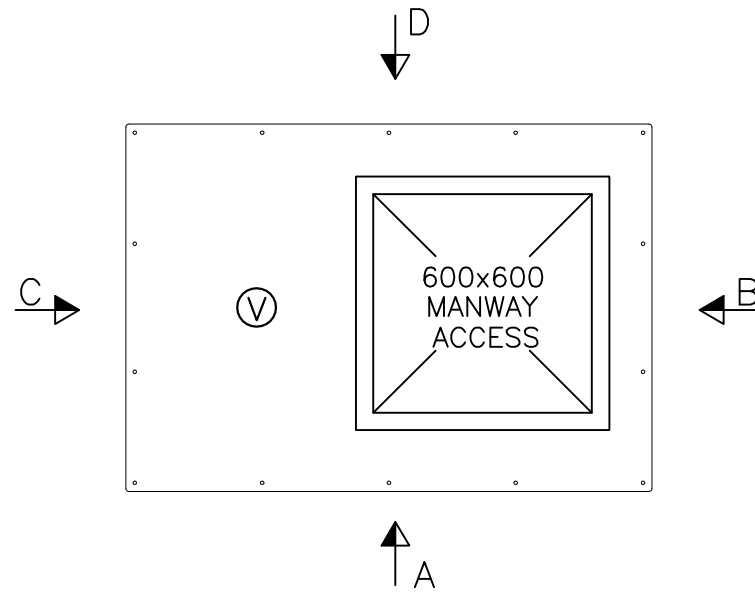


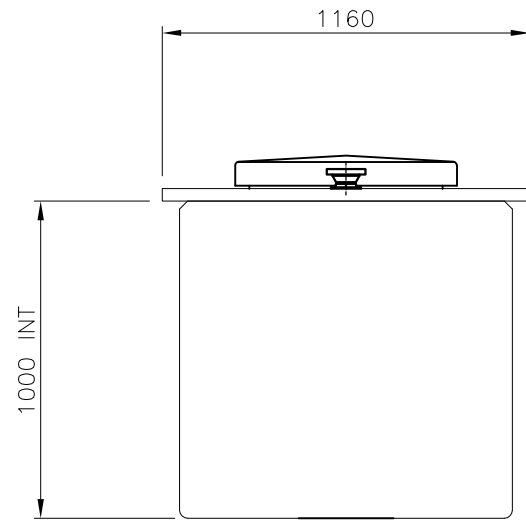
A wide range of optional extras are available for this tank. These include:

- Drip Trays
- Steel and Plywood Bases
- Steel Frames
- Encapsulated Timber Bases
- Immersion Heaters
- Contents Gauges
- Level Switches
- Temperature Dial Guage
- Galvanised Hand Rail
- Internal Ladders
- External Ladders
- Raised Float Valve Chambers
- Raised Float Valve Chambers with Side Access Manway
- Spill Weirs for Type AB Air Gap
- Keraflo K Valves
- Keraflo KAX Valves
- PVC Sight Gauges
- Various Tank Colours

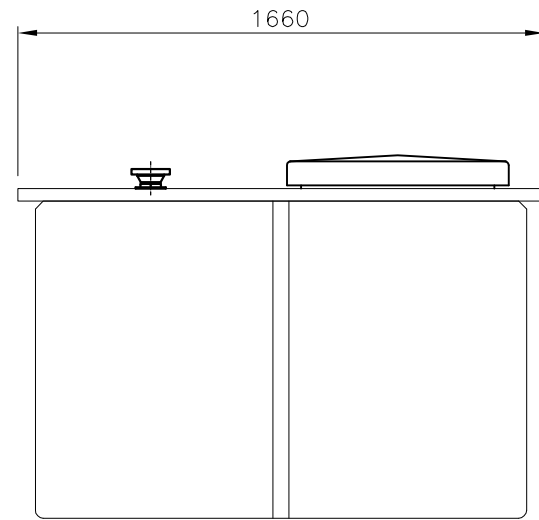
Should you require any further information, please contact us for details.



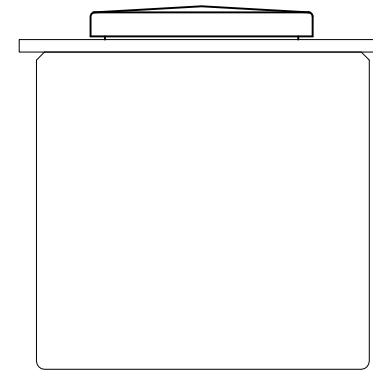
- A Provision (foam cut out) for overflow and warning pipe
- B Provision (foam cut out) for outlet
- C Provision (foam cut out) for inlet
- Ⓟ Screened vent



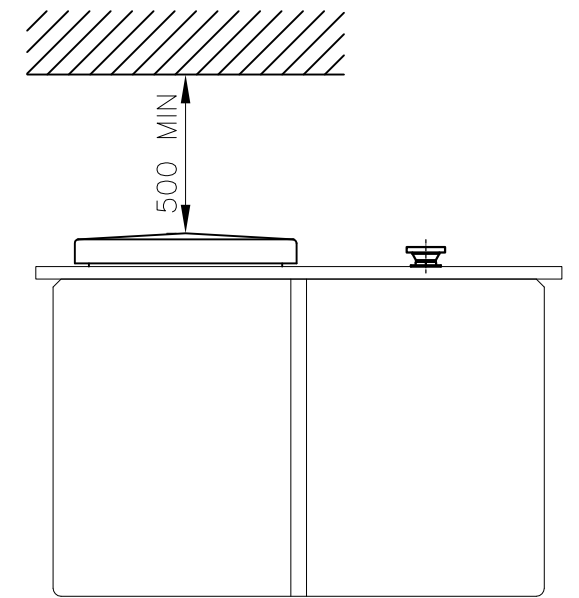
VIEW ON C



VIEW ON A



VIEW ON B



VIEW ON D

ALL DIMENSIONS ARE IN MILLIMETRES UNLESS STATED OTHERWISE DO NOT SCALE

|   |        |              |      |
|---|--------|--------------|------|
| PROJECT TITLE: —  |        |              |      |
| CUSTOMER: —   |        |              |      |
| PRODUCT:<br><br>OPT INSULATED 25mm<br>4-4B<br>NO DIVISION |        | -            | -    |
|   |        | -            | -    |
| REV:  | DATE:  | DESCRIPTION: |      |
| JOB.No:   |        | DRG.No:      |      |
| -   |        | -            |      |
| DATE:   | DRAWN: | SCALE:       | REV: |
| -   | -      | NTS          | -    |