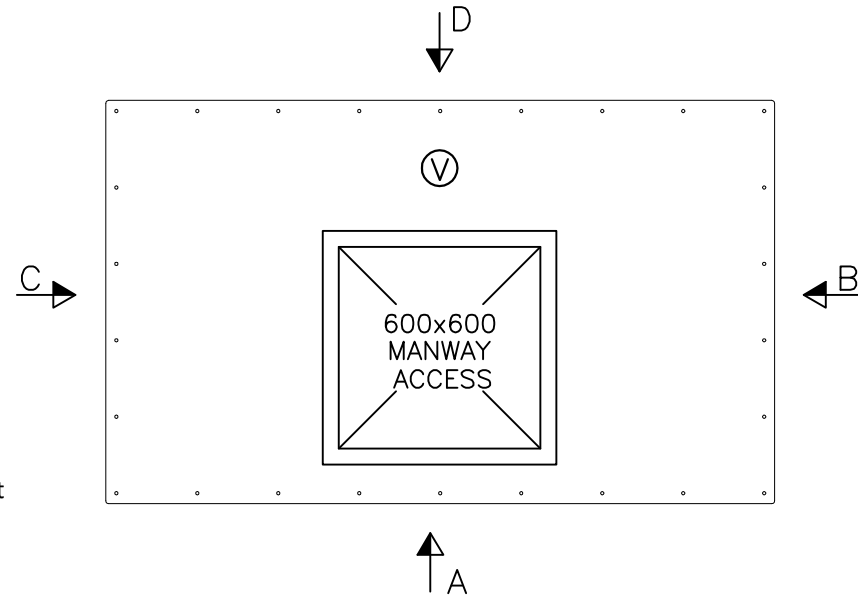


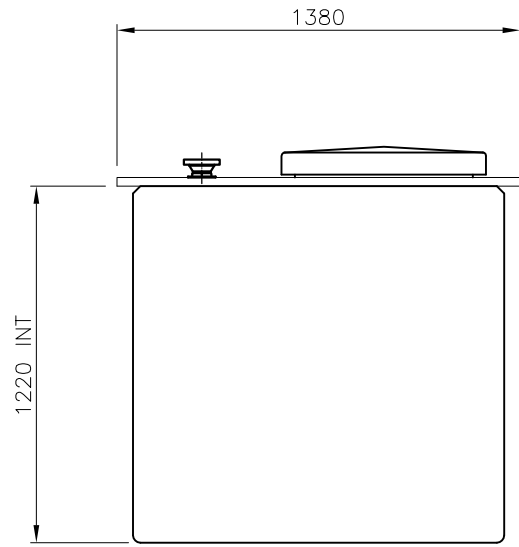
A wide range of optional extras are available for this tank.
These include:

- Drip Trays
- Steel and Plywood Bases
- Steel Frames
- Encapsulated Timber Bases
- Immersion Heaters
- Contents Gauges
- Level Switches
- Temperature Dial Guage
- Galvanised Hand Rail
- Internal Ladders
- External Ladders
- Raised Float Valve Chambers
- Raised Float Valve Chambers with Side Access Manway
- Spill Weirs for Type AB Air Gap
- Keraflo K Valves
- Keraflo KAX Valves
- PVC Sight Gauges
- Various Tank Colours

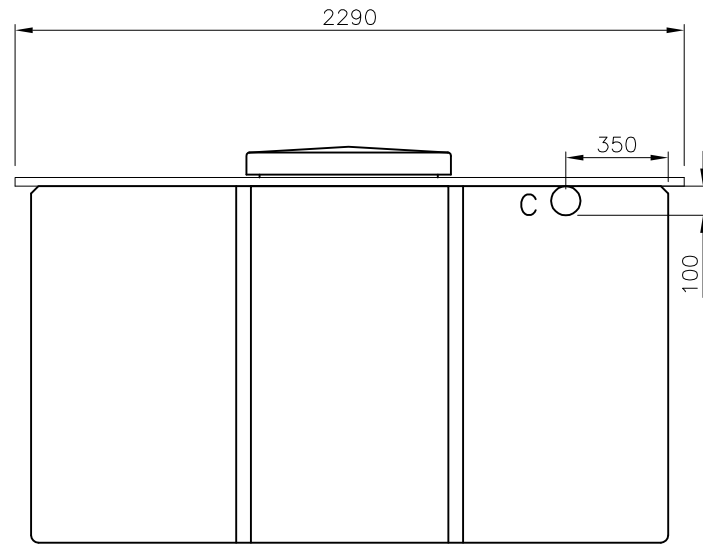
Should you require any further information, please contact us for details.



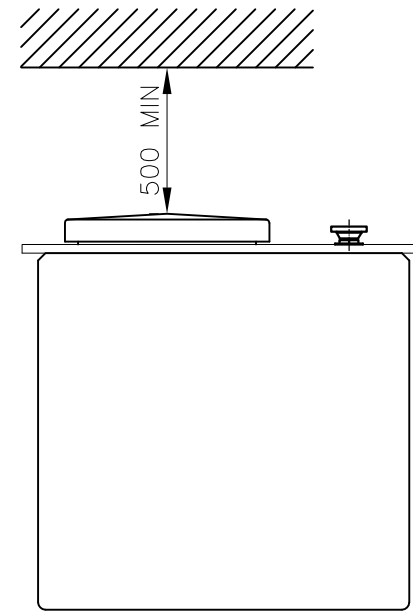
- A Provision (foam cut out) for overflow and warning pipe
- B Provision (foam cut out) for outlet
- C Provision (foam cut out) for inlet
- Ⓟ Screened vent



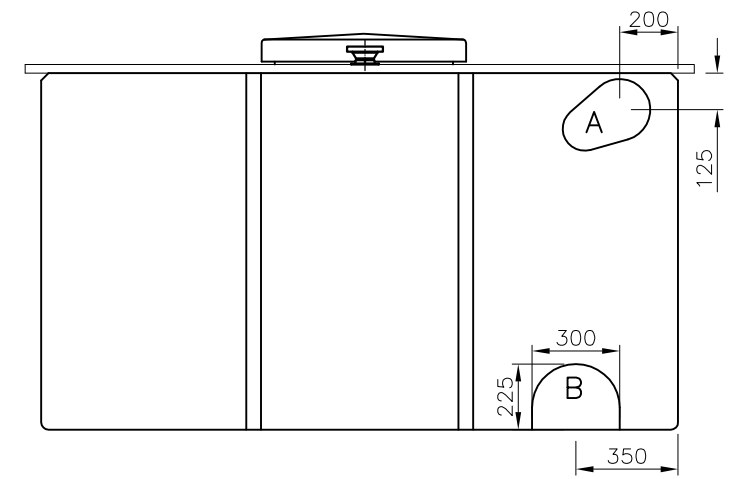
VIEW ON C



VIEW ON A



VIEW ON B



VIEW ON D

ALL DIMENSIONS ARE IN MILLIMETRES UNLESS STATED OTHERWISE DO NOT SCALE

| | | | |
|---|--------|--------------|------|
| PROJECT TITLE: — | | | |
| CUSTOMER: — | | | |
| PRODUCT: | | | |
| OPT INSULATED 20mm 7-4A NO DIVISION | | | |
| REV: | DATE: | DESCRIPTION: | |
| — | — | — | |
| JOB.No: | | DRG.No: | |
| — | | — | |
| DATE: | DRAWN: | SCALE: | REV: |
| — | — | NTS | — |