

Product Datasheet

description: OH 220L BLU 7kg UN4682 Std STW 8/ST Pal

product group: Open Top EU > 100l

Mauser product no.: uk02191995

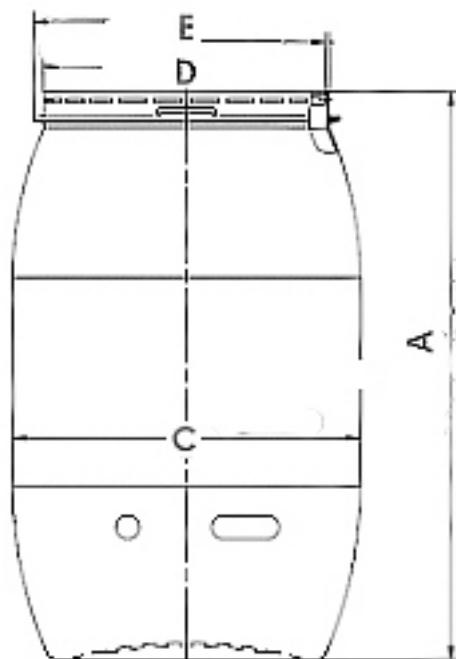
customer item no.:

year: 2015

last revision: 2015-02-03

print date: 2022-02-17

page: 1/2



Drawing only exemplary

DIMENSIONS

A:	976.00 mm / +/- 5
B:	./.
C:	590.00 mm / +/- 5
D:	485.00 mm / +/- 5
E:	521.00 mm

MATERIAL

plastic (body)a:	7.00 kg
plastic tolerance (+/-):	0.00 %
plastic total:	8.20 kg
steel:	0.40 kg

VOLUME

Volume:	220 L
brimful volume:	228 L / 60 GAL

DRAWING NUMBER

Mauser drawing no.: ./.

LABELING

Embossing/Label/Printing: ./.

label:

customer spec no.:

Kingfisher Direct Ltd
Randall Park Way
Hallcroft
Retford
Nottinghamshire
DN22 7WF

kingfisherdirect.co.uk
01777 858009 | info@kingfisherdirect.co.uk

Product Datasheet

description:	OH 220L BLU 7kg UN4682 Std STW 8/ST Pal	year:	2015
product group:	Open Top EU > 100l	last revision:	2015-02-03
Mauser product no.:	uk02191995	print date:	2022-02-17
		page:	2/2

MODEL / COMPONENTS / ACCESSORIES

Design:	O-Top	Quality:	./.
Basic Color Drum Body:	blue	Color Variations:	./.
Snap-On-Handle/Integrated Handle:	./.	Lid Gasket and Accessories:	PUR + vent.-pin
Lid Color:	black	clamping ring:	2680-02
Specialties:	./.	Bung Closure 2a:	./.
Bung Closure 1a:	./.	Bung Closure 2b:	./.
Bung Closure 1b:	./.	Seal Cap 2:	./.
Seal Cap 1:	./.	De-/Gassing 1:	./.
Bung Closure Gaskets:	./.	Assembly Bung Closure 2:	./.
Assembly Bung Closure 1:	./.	Assembly Seal Cap 2:	./.
Assembly Seal Cap 1:	./.		

SHIPPING UNIT

Pallet Type:	customer specific	Pallet Material:	Wood, HT
pieces per pallet:	8	Load Secure:	Stretch Foil, natural
Bung Orientation on Pallet:	./.		

PACKAGING GROUP

Packaging Group:	X	max. Density (Approval):	1,9 g/cm3
Hydraulic Pressure:	0 (only approved for solids)		

STANDARD FILLING PRODUCTS

	max. vapour pressure at 50C	max. vapour pressure at 55C	density PG I	density PG II	density PG III
solid:	./.	./.	1.3	1.3	1.3
water:	./.	./.	./.	./.	./.
acetic acid:	./.	./.	./.	./.	./.
wetting solution:	./.	./.	./.	./.	./.
white spirit:	./.	./.	./.	./.	./.
n-butyl acetate:	./.	./.	./.	./.	./.
nitric acid 55%:	./.	./.	./.	./.	./.
approval:	UN1H2/X287/S/./D/BAM4682-M				
material type:	HDPE				