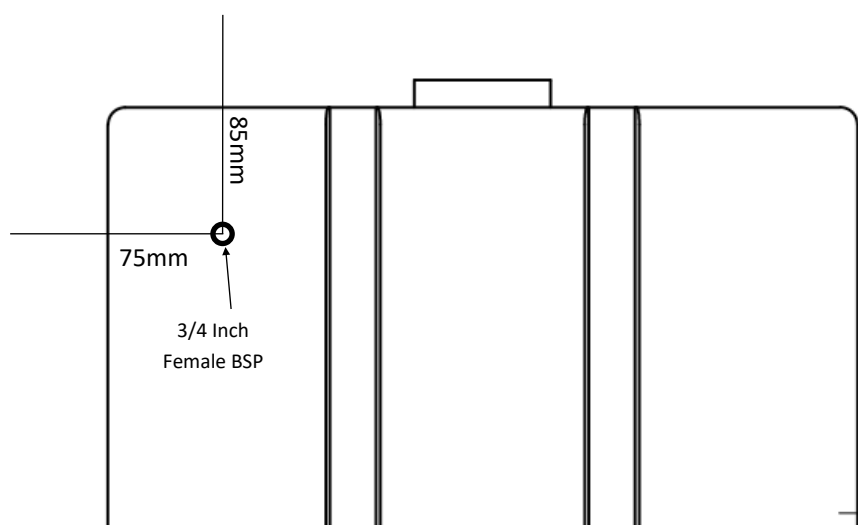


Fusion Welded Sockets

If you require multiple inlets/outlets or if you require the tank outlet in a different position to the standard position, fusion welded sockets can be added to the tank. The sockets are BSP threaded and available in Male and Female.

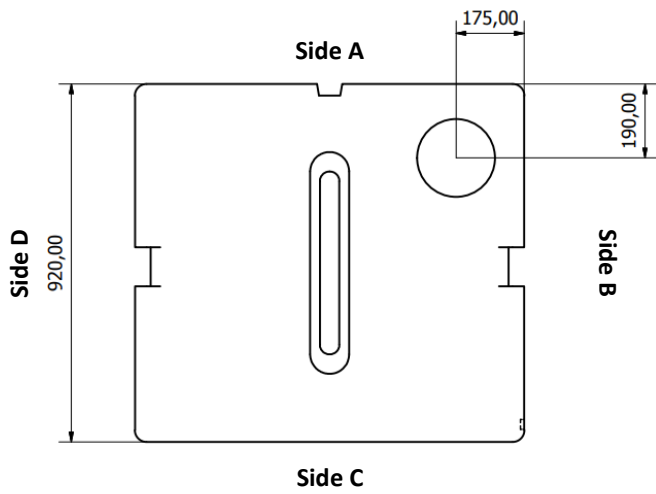
To order a tank with additional sockets, all you need to do is mark the position and size you require the inlet/outlet on the drawings on the next page, along with the measurements you require it from the edges of the tank (please note the measurements need to be to the centre of the socket), email or fax this to us and then give us a call to place your order. Please see the example below.



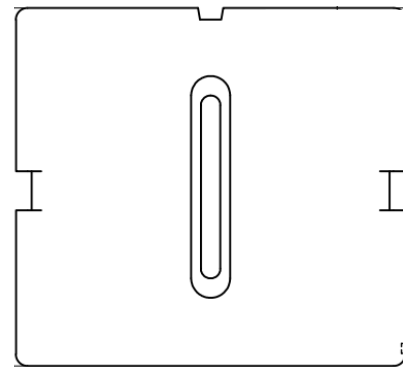
Fusion Socket prices

Socket Size	Code	Price (Ex. VAT)
1/2 Inch Female BSP	FSN1/2	£6.30
3/4 Inch Female BSP	FSN3/4F	£6.80
1 Inch Female BSP	FSN1F	£7.00
1 1/4 Inch Female BSP	FSN11/4F	£9.60
1 1/2 Inch Female BSP	FSN11/2F	£9.60
2 Inch Female BSP	FSN2F	£15.00
3/4 Inch Male BSP	FSN3/4M	£7.80
1 Inch Male BSP	FSN1M	£8.00
1 1/2 Inch Male BSP	FSN11/2M	£9.60

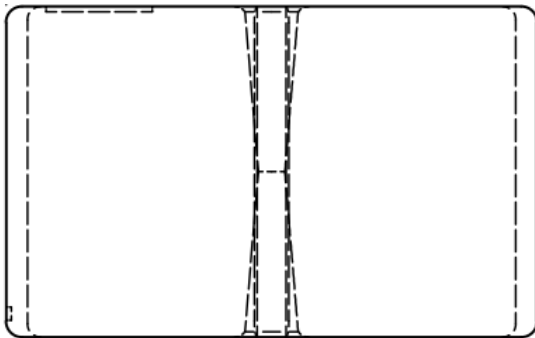
500 Litre Flat Tank



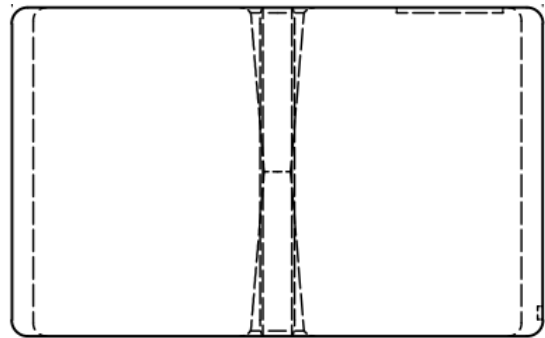
Bottom View of Tank



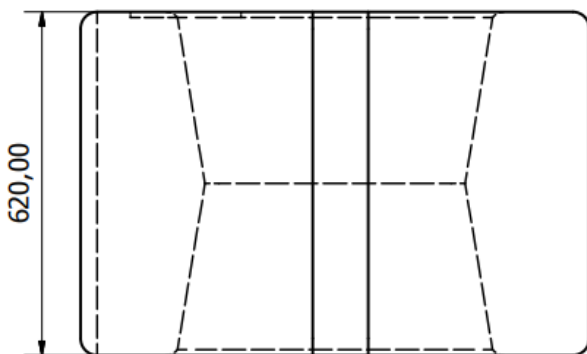
View on Side A



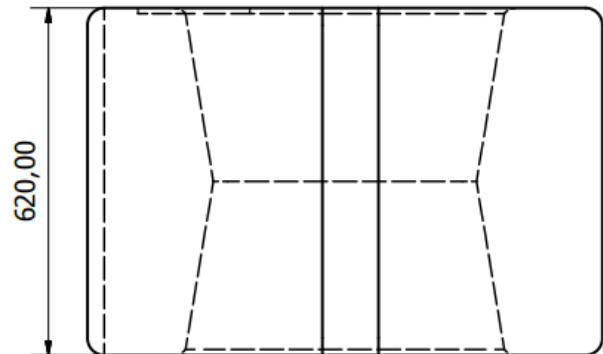
View on Side C



View on Side B



View on Side D



Not to Scale