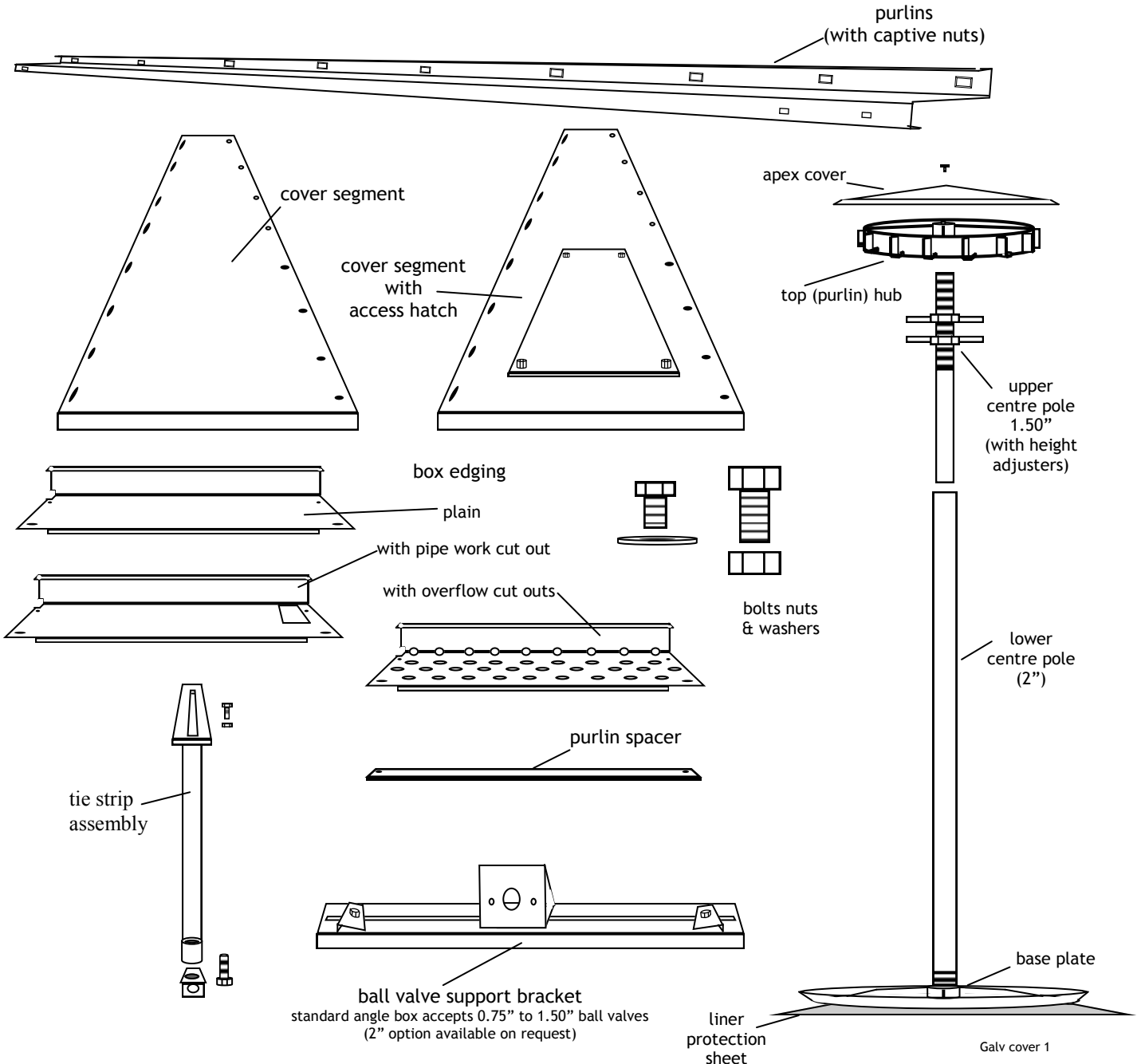


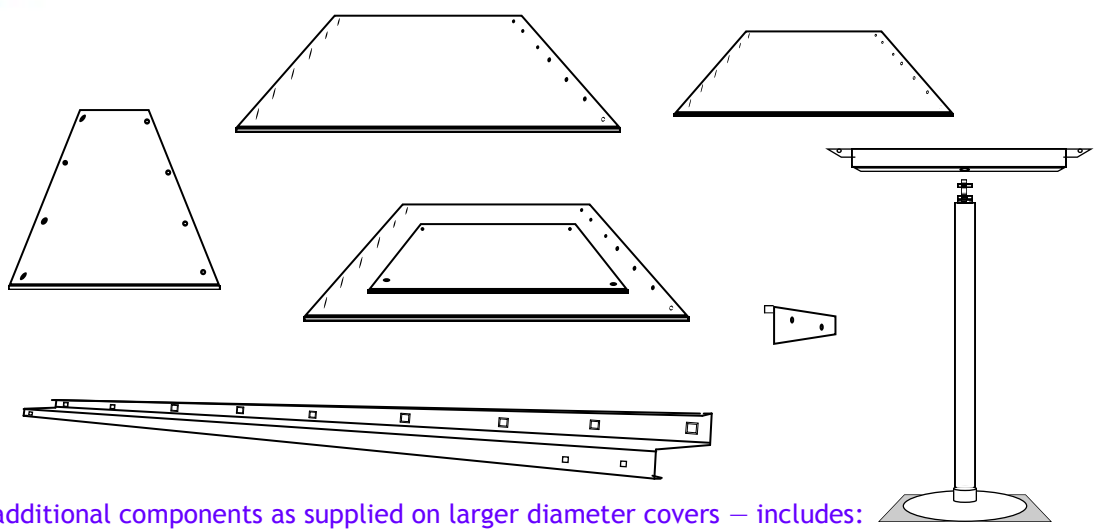
Galvanised Steel Tank Cover

components as supplied for covers up to 18ft diameter
 (see over for additional components as used on larger diameter covers)

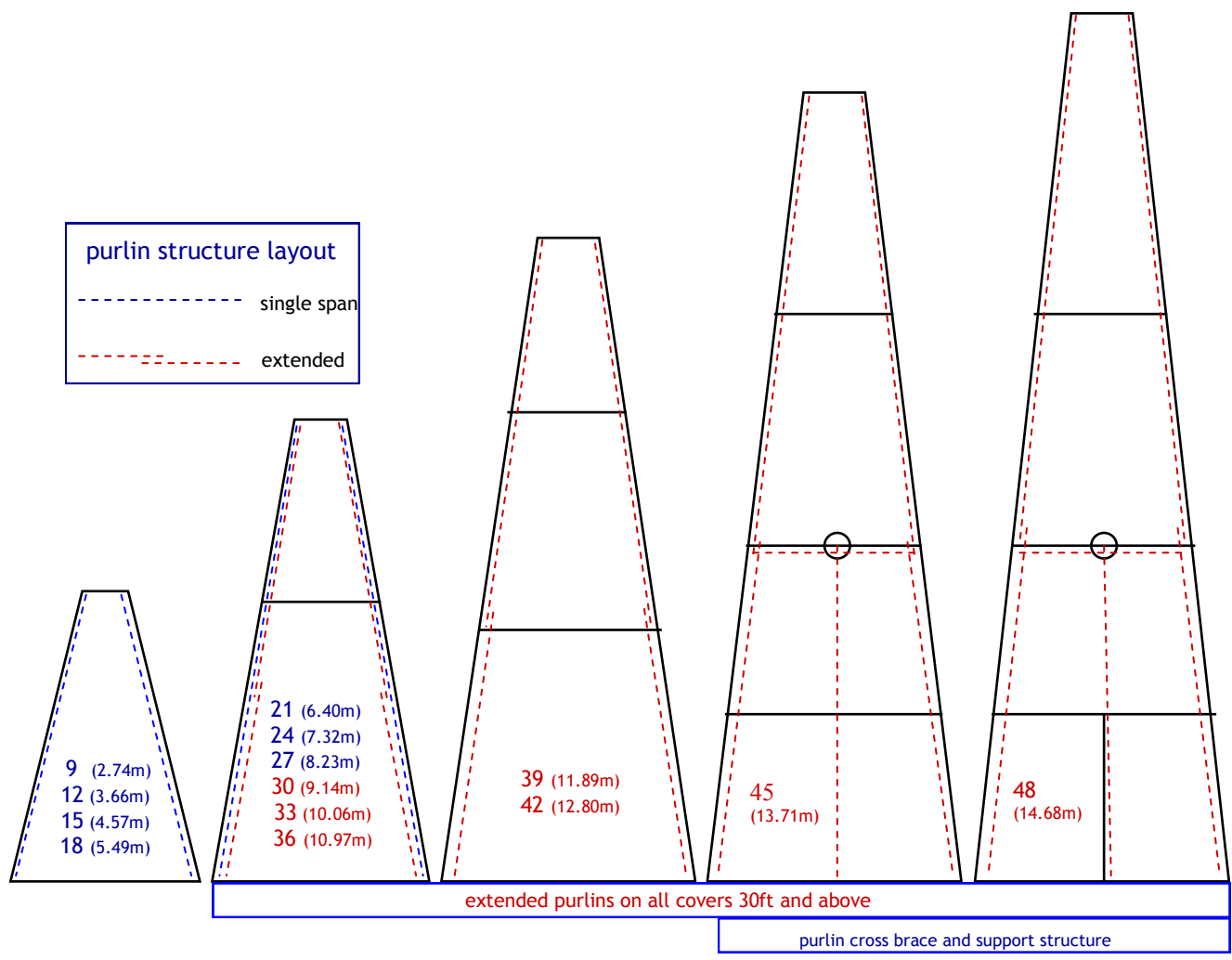
tank covers packed on 1 or 2 pallets
 (depending on size)

tank cover components and fixings





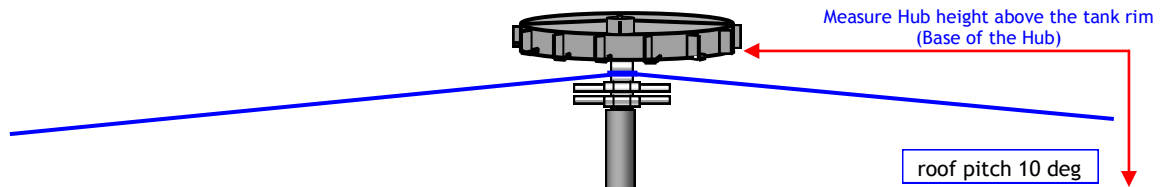
additional components as supplied on larger diameter covers – includes:
 purlin extensions (30ft + covers) - purlin connection brackets - purlin cross brace (45ft + covers) -
 purlin cross base support structure - additional fixings -
 top cover segments - mid cover segments - 3rd and lower cover segments - (plain or with access hatch)
 (see cover segment plan)



tank cover diameter - segment layout
 (nominal tank size diameter in feet)



installation

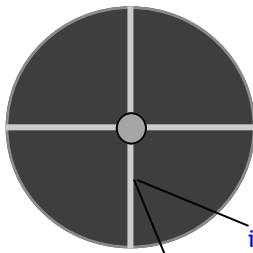


assemble the centre support structure close to the inside wall of the tank and adjust the height to the advised, height above the tank rim.

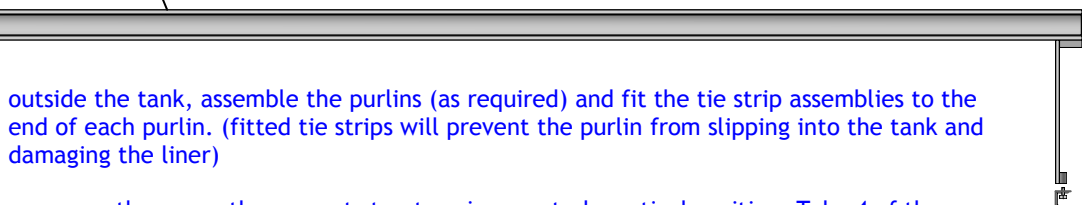
measure carefully and place the assembled structure onto the butyl mat, in the centre of the tank.

ensure the structure is vertical and secure in position using 4 ropes if required.

roof pitch 10 deg	
tank dia ft / mtr	hub above rim cms
9 (2.74)	24
12 (3.66)	32
15 (4.57)	40
18 (5.49)	48
21 (6.40)	56
24 (7.32)	64
27 (8.23)	72
30 (8.23)	80
33 (9.14)	88
36 (10.06)	96
39 (10.97)	104
42 (12.80)	112
45 (13.71)	120
48 (14.63)	128

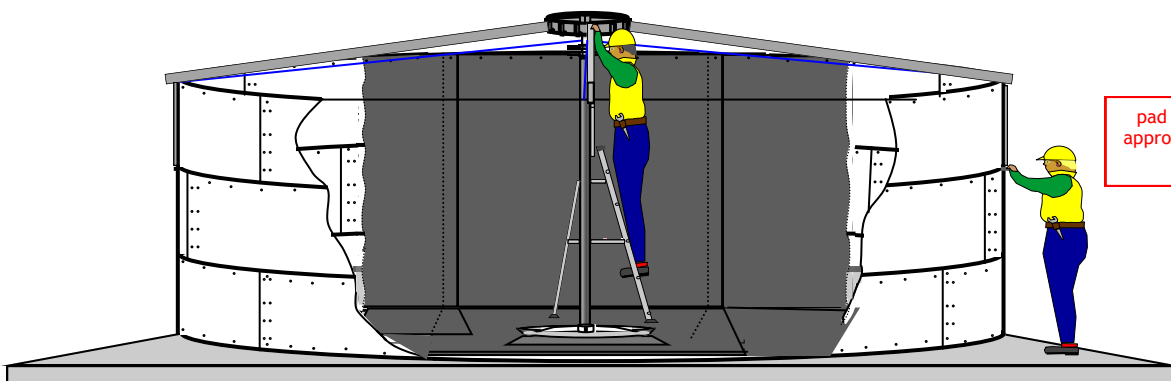


initially fit 4 purlins with tie strips



outside the tank, assemble the purlins (as required) and fit the tie strip assemblies to the end of each purlin. (fitted tie strips will prevent the purlin from slipping into the tank and damaging the liner)

permanently secure the support structure in a central, vertical position. Take 4 of the assembled purlins and carefully lift over the tank rim and bolt to the support structure hub, then fit the tie strip to the tank bolt on the outside of the tank.

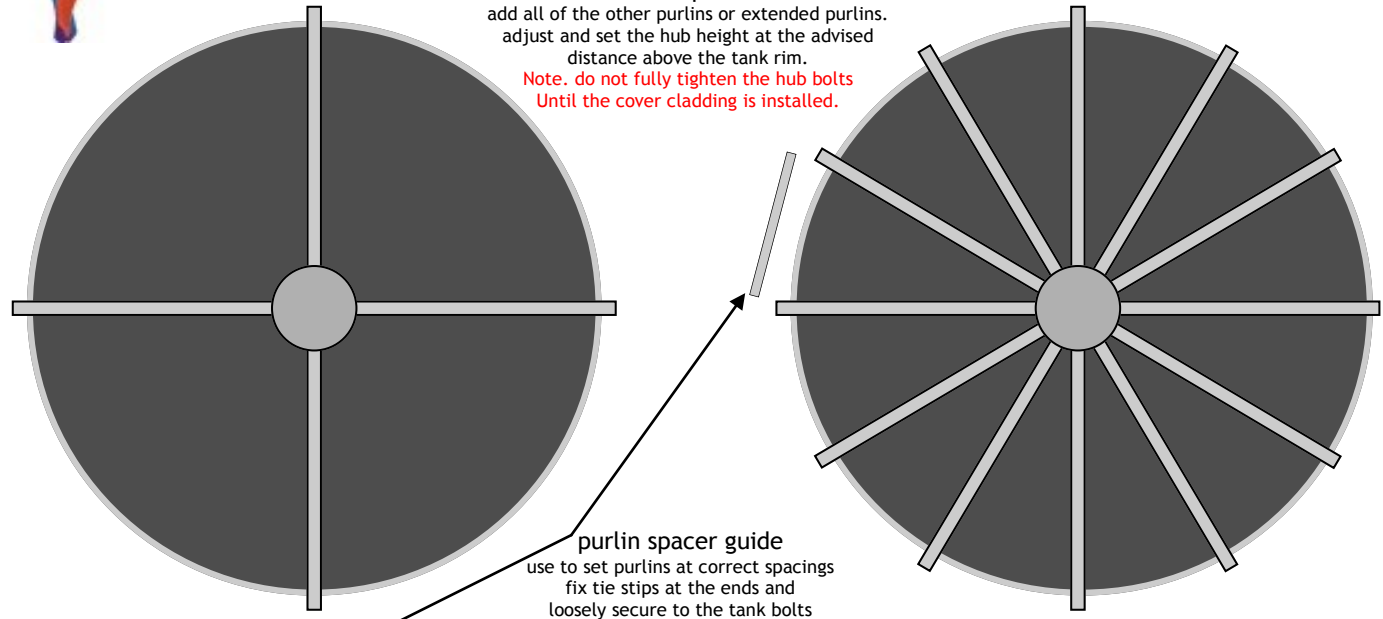


pad the ladder feet and wear appropriate footwear to prevent damaging the liner



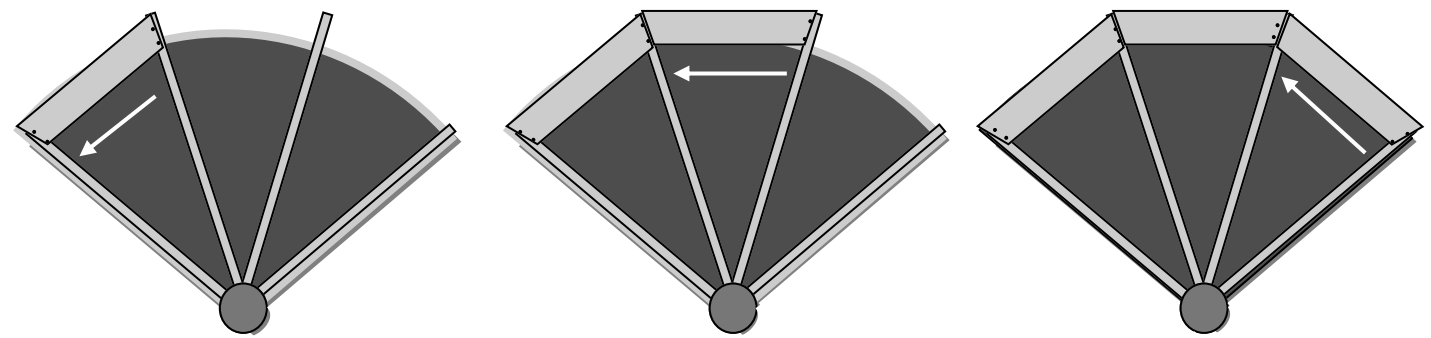
Fit the purlins

add all of the other purlins or extended purlins.
adjust and set the hub height at the advised
distance above the tank rim.
**Note. do not fully tighten the hub bolts
Until the cover cladding is installed.**



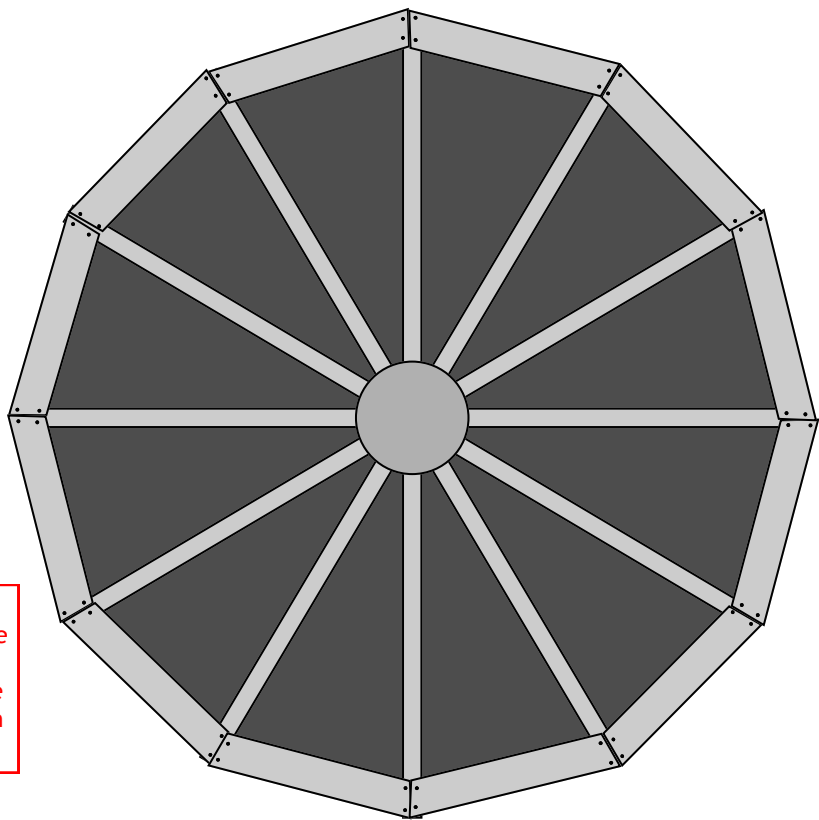
purlin spacer guide

use to set purlins at correct spacings
fix tie strips at the ends and
loosely secure to the tank bolts

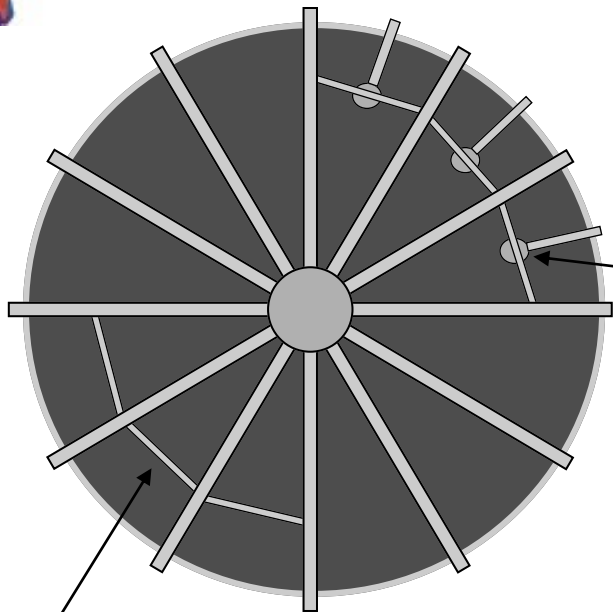


fix box edging sections (pipe inlets and weir boxes where required)

start from one fixed purlin, adding further box sections one at a time.
work in one direction around the tank, until all are installed before fully tightening the tie strip fixings.



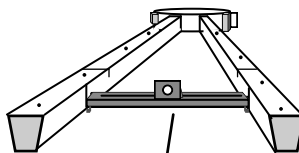
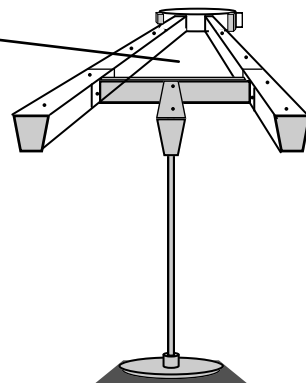
Important !
Only tighten the tie
strip fixings, once
all of the box edge
sections have been
fitted



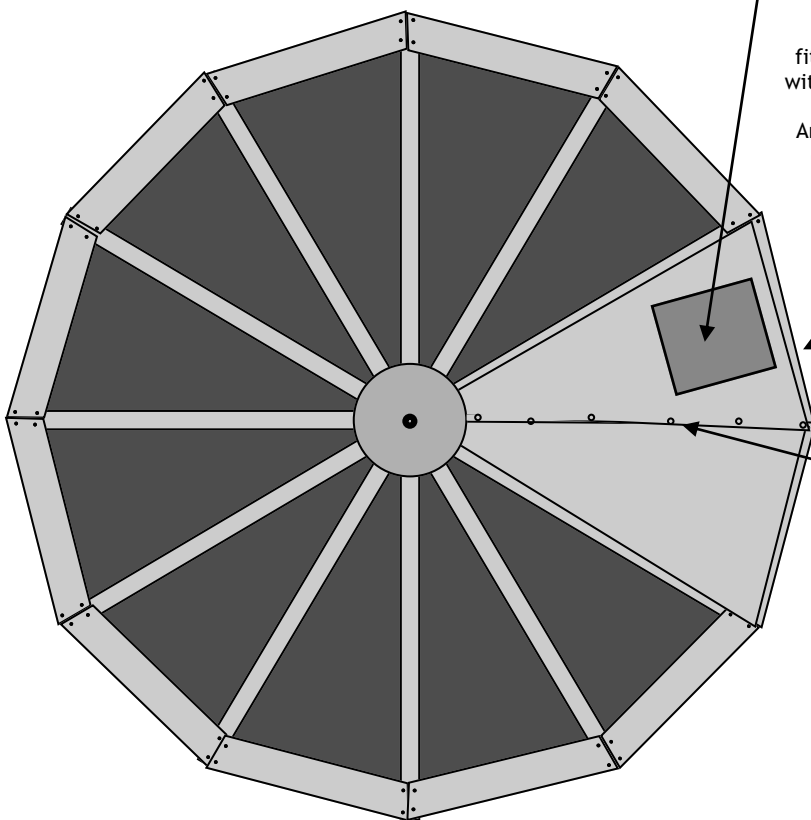
45ft (13.71mt) diameter tanks fit purlin cross braces.

for larger tank covers
48ft (14.63mt) diameter tanks

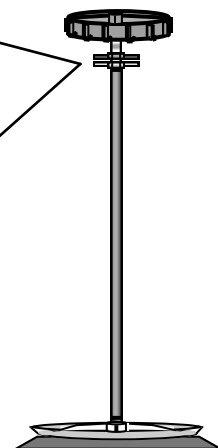
fit the purlin cross braces using the provided Cross brace brackets and fit the cross brace support post and base plate



water fill valve support
fit the support bracket between the purlins with the angle box above or below the to suit the size of fill valve to be used.
Angle box accepts 0.75" to 1.50" fill valves
(order special angle box for 2.00" valve)



water inlet fill position
fit the cover panel with hatch, directly over the fitted box edge section with the pipe inlet slot.
(position the second access hatch panel as required)

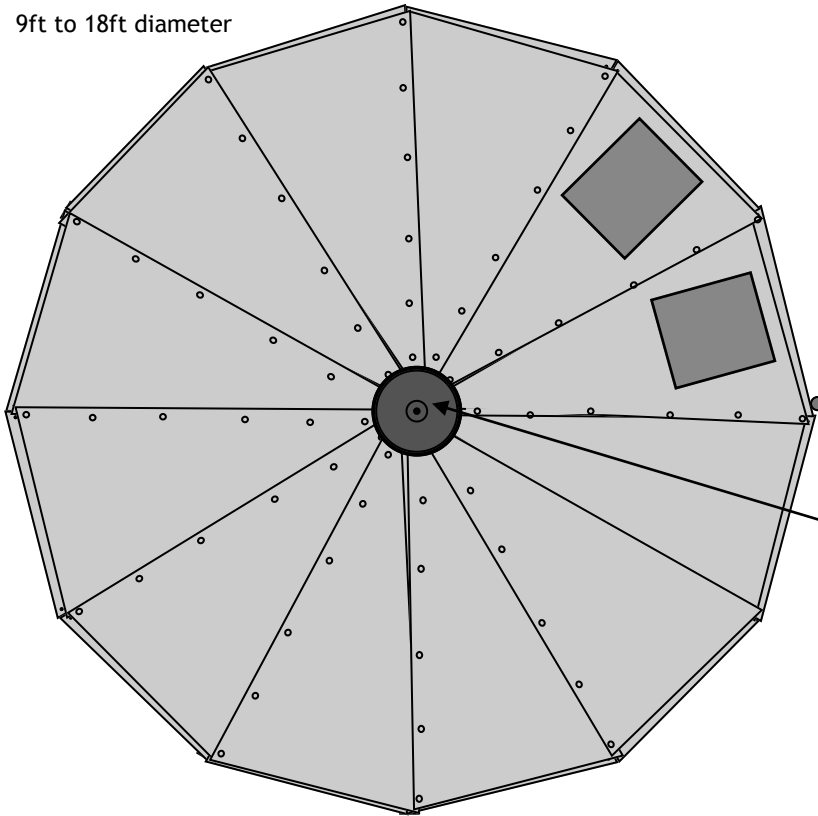


FITTING COVER PANELS
Hole Alignment – IMPORTANT !
when fitting the first of the cover panels, check the alignment of the panel holes with the captive nuts on the purlins. Adjust the alignment as required by reducing or increasing the height of the centre support using the fine adjustment lock nuts as provided.

Once the correct alignment is confirmed, the centre hub bolts
And the tie strip assemblies can be tightened and secured.



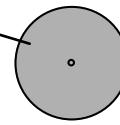
9ft to 18ft diameter



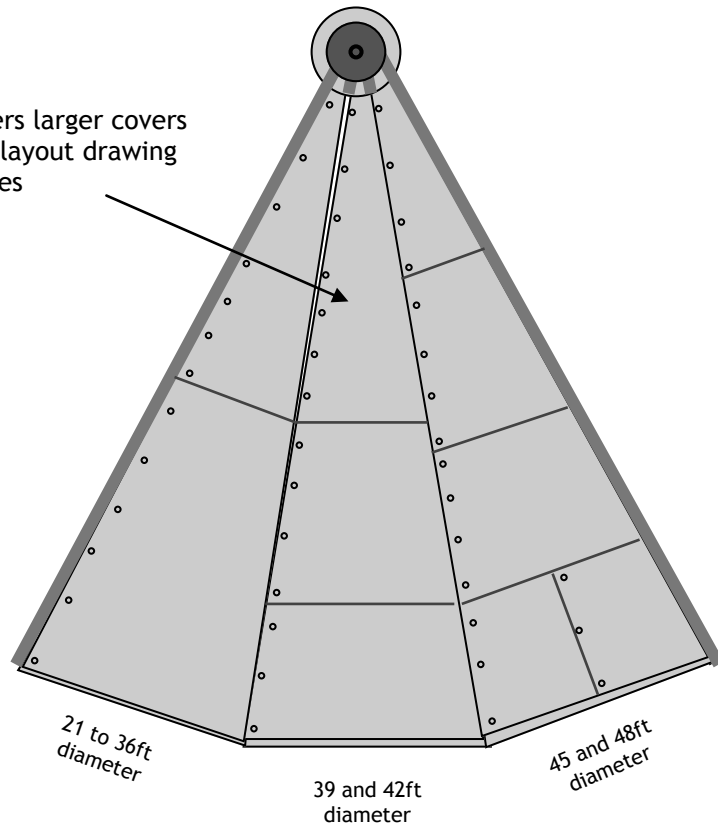
When hole alignment is confirmed

Complete cladding the cover with the provided panels, securing with the 8mm short bolts

finally fit and secure the centre top cover plate



Panel cladding for larger covers larger covers refer to the purlin structure layout drawing on previous pages



Caution !
working safely on or below the cover

always use protective equipment,
protective gloves and hard hats etc,
And wear non-slip footwear.

use a harness attached to the hub when
working on the cover

Ensure that components, fixings and tools
are secured, to prevent them
falling from the cover.

ensure access ladders etc, are on a
reliable footing and are secured to the
structure.

cushion ladder feet when using
inside the tank to prevent causing
damage to the tank liner.